

Deadbolt Installation Instructions - Single & Double Cylinder

Series
300

This deadbolt will fit doors 1 3/8" to 1 3/4" thick even if the door opens differently than shown. Just follow the easy step-by-step directions.

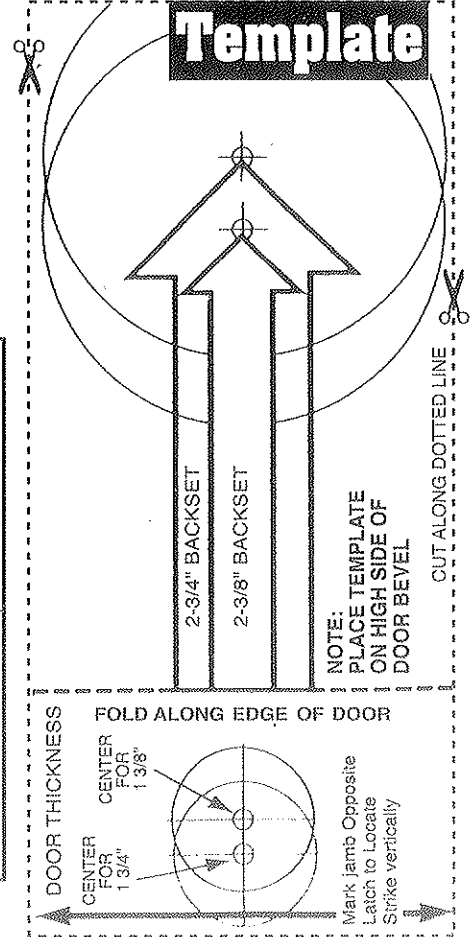
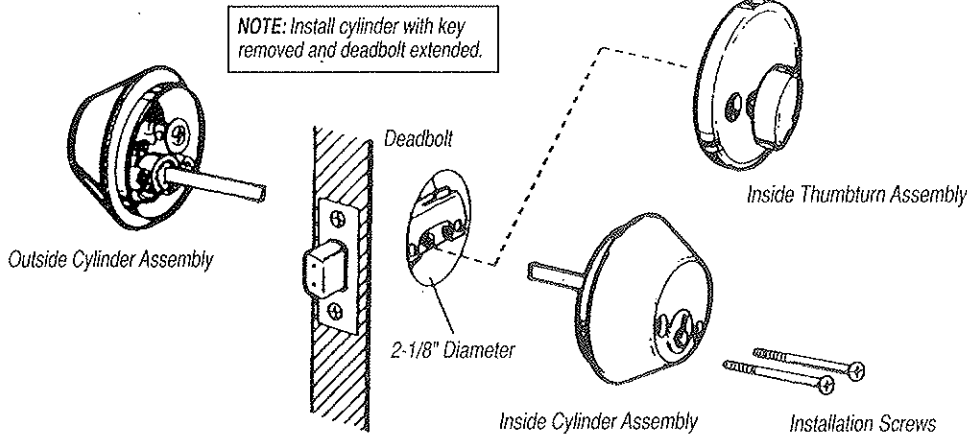
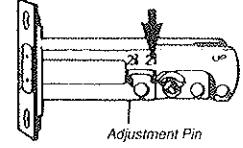
■ For Doors 1-3/8" to 1-3/4" ■ For Lock Case Bore 2-1/8" Diameter ■ Tools Required: Wood Chisel, Hammer & Phillips Head Screwdriver

Adjusting Bolt Backset

For 2 3/4" Backset

Grasp Adjustment Pin between forefinger and thumb. Lift up, slide to the right and drop in 2-3/4" position.

Note: Latch from factory is pre-set for 2-3/8" backset.



New Door Preparation

Backset Description	A Mark Door	B Drill Holes	C Install Latch
<p>EDGE OF DOOR CENTER OF HOLE</p>	<p>Door Stop Template Place template on high side of door bevel (and opposite door stop)</p> <p>For new door locate hole center approx. 44" from floor. Tap 2 nails or thumbtacks through proper template center marks for hole center. Remove the nails & template.</p>	<p>2-1/8" DIA HOLE</p> <p>Drill 2-1/8" dia. hole through door. Drill 1" dia. hole through to 2-1/8" hole.</p>	<p>Mortise for latch face. Insert latch & install screws. Bolt must be extended for installation of cylinders. (The 3 holes in latch to the bottom side)</p>
D Mark Jamb	E Locate Strike	F Drill Hole & Install Strike	G Align Cylinder
<p>Close door until bolt just touches jamb. Place end of template on jamb & align edges with latch face. Mark jamb opposite latch for top & bottom of strike.</p>	<p>With door open, using template folded on fold line, place fold against door stop, mark center location for 1" dia. hole & strike screw holes. Make allowance for weatherstripping, etc.</p>	<p>Drill 1" hole in door jamb at least 1/2" deep. Align screw holes of strike with previously marked center line. Mark around strike & chisel out flush mounting of strike. Insert strike & tighten screws.</p>	<p>WITH KEY REMOVED, arrange cylinder with screw holes at bottom & tailpiece vertical. Insert tailpiece through center hole in latch. Install (2) screws on inside unit. Check function of lock.</p>

Weslock.

© 1994 Tulsa, Oklahoma Part No. 09639