

INSTRUCTIONS FOR INSTALLING YOUR WESLOCK PRODUCT

Traditionale Collection

Entry Handle Set
2100 Series



PARTS INCLUDED

Do not insert key, or unlock handle before installation. Doing so may result in removal of the cylinder assembly.

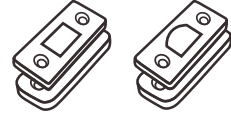
Wood Screws (x8)

For mounting strikes & faceplates.



Faceplates (x4)

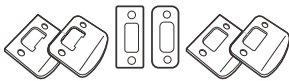
For covering a mortise latch.



* For Non-Mortise applications see below parts.

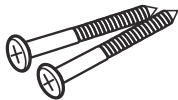
Strikes (x6)

Install on door frame.

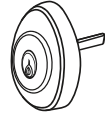


XL 3" Wood Screws (x2)

For mounting strike (optional).



Exterior Deadbolt Assembly



Interior Deadbolt Assembly



Exterior Grip Assembly

Exterior handle & thumb piece.

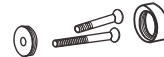


Iron Door Latch Casing



* Slide over thumbpress latch for iron door application.

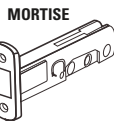
Foot Screw Cap Assembly



* Only use one (1-3/4" OR 2-1/4") screw based on thickness of door.

Deadbolt Latch

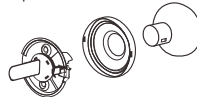
Engages strike with door closed.



* For Non-Mortise applications see below parts.

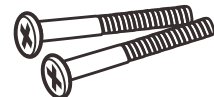
Interior Knob/Lever Assembly

Interior knob / lever, rosette & spindle



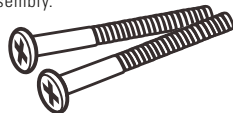
Assembly Screws (x2)

Pre-installed on Exterior Grip Assembly for mounting interior knob / lever assembly. 1-1/4"



Assembly Screws (x4)

For mounting interior deadbolt assembly.



* Only use two (2-1/4" OR 2-3/4") screws based on thickness of door.

Thumb Press Latch

Engages strike with door closed.



* For Non-Mortise applications see below parts.

Entry Keys (x2)

For unlocking the deadbolt.

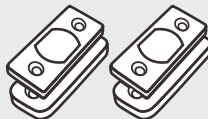


SCAN THE CODE FOR INSTALATION VIDEOS

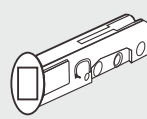


*** Non-Mortise (Drive-In) Application**

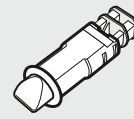
FACEPLATES (X4)



DEADBOLT LATCH



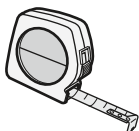
THUMB PRESS LATCH



REQUIRED TOOLS

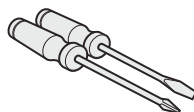
Measuring Tape

Or other measuring tool



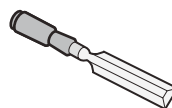
Screwdriver

Phillips and flat blade



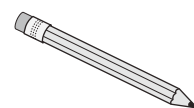
Wood Chisel

*Only if prepping a new door



Writing Utensil

*Only if prepping a new door



DOOR PREP INSTRUCTIONS 2 WESLOCK.COM

GLOSSARY OF TERMS

Technical language used in this document



MORTISE



CROSS BORE



THUMB PRESS LATCH



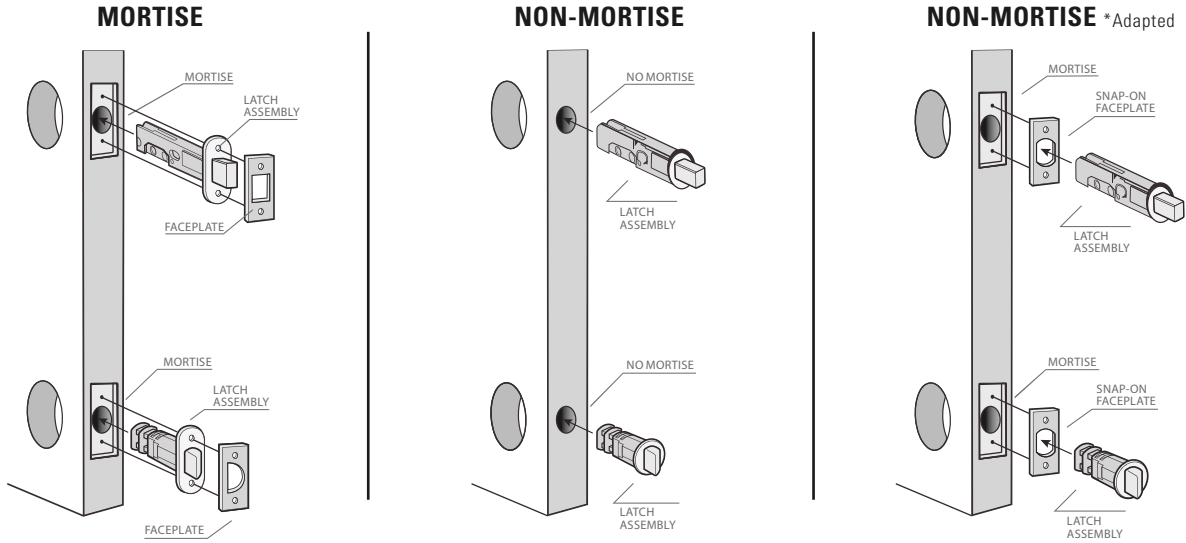
EDGE BORE



DEADBOLT LATCH

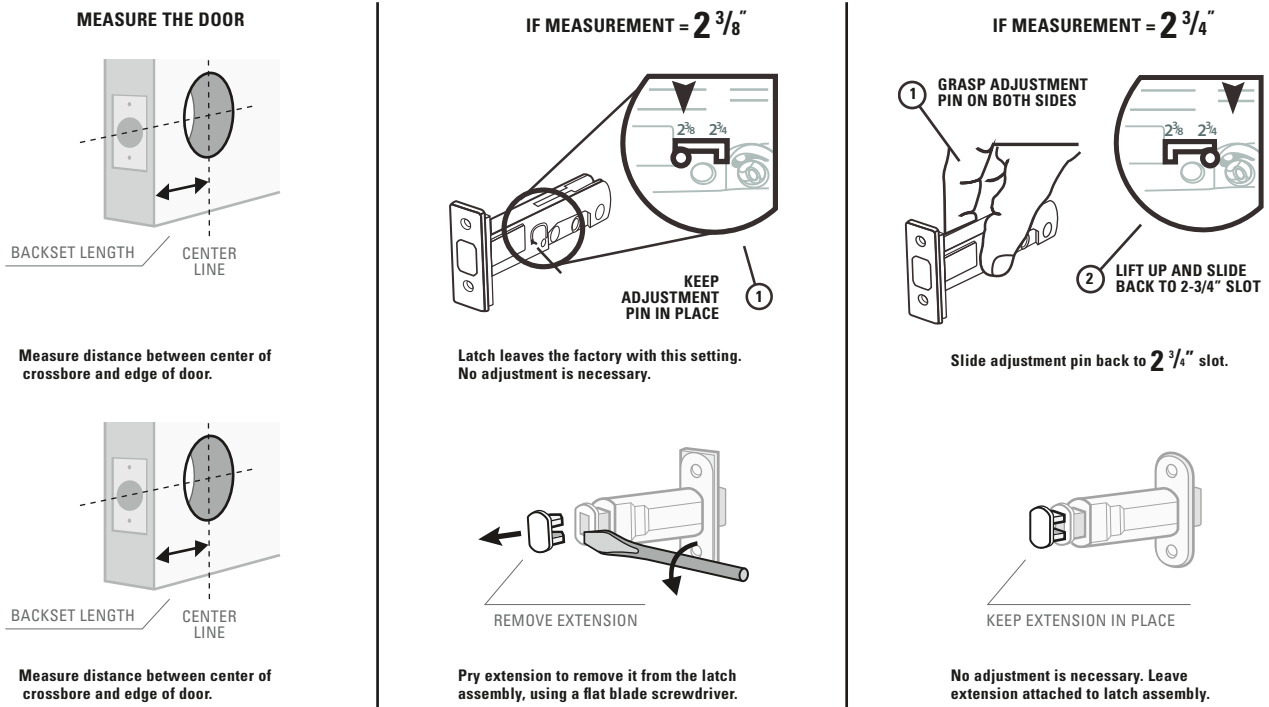
IDENTIFY THE LATCH TYPE FOR YOUR DEADBOLT AND THUMBPRESS LATCH

This will determine how you install the latch assembly in section 7.



DETERMINE THE BACKSET OF YOUR DEADBOLT LATCH AND THUMBPRESS LATCH

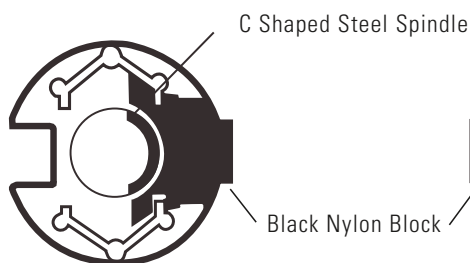
The length of your latch assembly will be determined by your backset measurement.



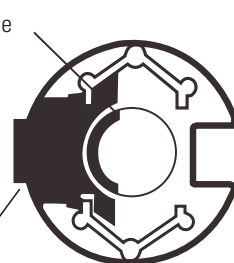
ADJUSTING THE HANDING OF YOUR ENTRY HANDLE

To change right or left hand setting (factory setting is right hand) of the exterior side of the entry handle. The nylon block must be installed and is required for proper functionality of spindle.

A. Remove Nylon Block & Spindle



B. Replace Spindle & Nylon Block



STEP 1

Using a screwdriver, slide the nylon block out of its channel and remove from assembly.

STEP 2

With thumb and forefinger grab spindle, pull up and rotate 180°.

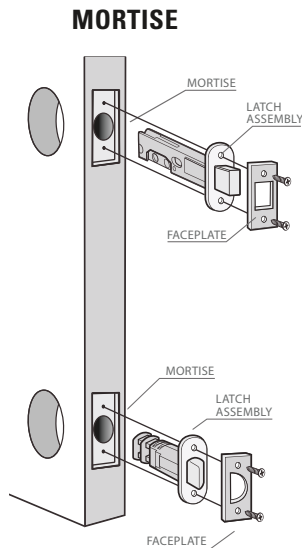
STEP 3

Reinsert nylon block on opposing side of assembly, adjacent to repositioned spindle.

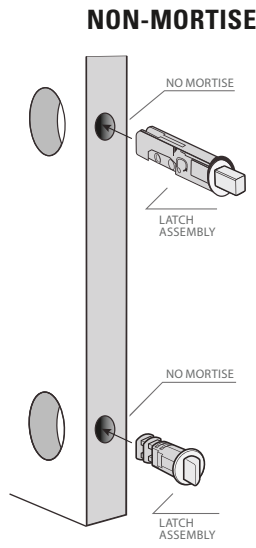
INSTALLATION

Deadbolt latch must be extended prior to installation.

7A. Insert Mortise Latches



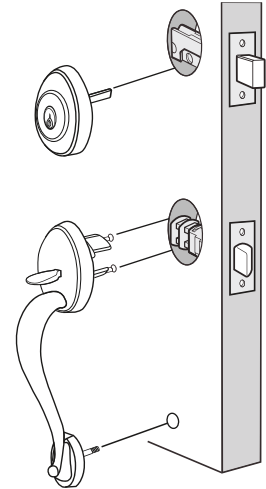
7B. Insert Non-Mortise Latches



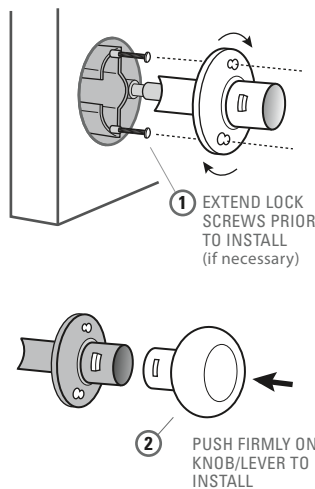
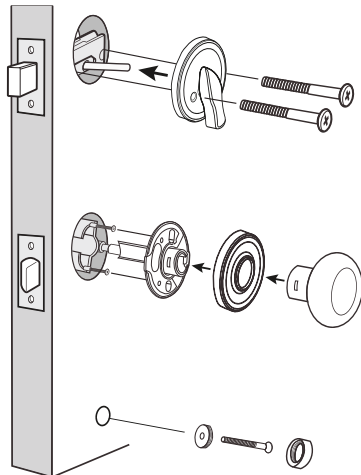
7C. Install Exterior Deadbolt and Grip Assemblies

A. Insert deadbolt tailpiece into cam in deadbolt latch.

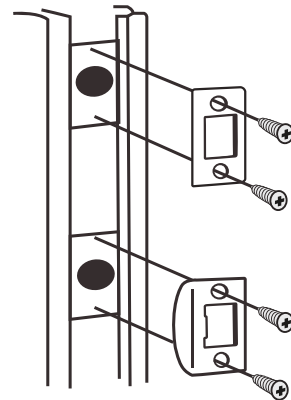
B. Align notches on grip housing with proper grooves (2-3/8 or 2-3/4) on latch. Slide on. At same time, align and insert foot screw through pre-drilled hole.



7D. Install Interior Deadbolt and Knob/Lever Assemblies



7E. Install Strikes



THANKS FOR CHOOSING US. WE HOPE YOU ENJOY YOUR NEW WESLOCK DOOR HANDLE.

WESLOCK WARRANTY INFORMATION

WESLOCK warrants to the purchaser that the products shall be free from defects in material workmanship for the LIFETIME of the product. Provided the product was purchased from an authorized WESLOCK dealer, Weslock's sole obligation under this warranty shall be to repair or replace product which WESLOCK determines to be defective. After such product is returned to WESLOCK by the purchaser with proof of purchase and with shipping charges prepaid, will this warranty be honored. Homeowner - if the product was installed as original equipment on a new home, you must provide the name of the builder, the date the home was built and your move-in date. If a mechanical defect has occurred, it is your right by this warranty to contact Customer Service in Tulsa, Oklahoma at (800) 575-2658 to arrange the return of the lock. This warranty DOES NOT cover products which malfunction due to improper installation or misuse. Please register your product at Weslock.com.

WARRANTY TERMS

FINISH

MECHANICAL

Traditionale Collection

Limited Lifetime

Limited Lifetime

ADDITIONAL CUSTOMER RESOURCES

Online

Direct

WEBSITE

YOUTUBE

PHONE NUMBER

1-800-575-2658
BOLT

www.weslock.com

[youtube.com/WeslockDoorHardware](https://www.youtube.com/WeslockDoorHardware)

FAX NUMBER

1-918-294-3869

TWITTER

FACEBOOK

EMAIL

customerservice@weslock.com
or
warranty@weslock.com

twitter.com/Weslock1

[facebook.com/WeslockDoorHardware](https://www.facebook.com/WeslockDoorHardware)